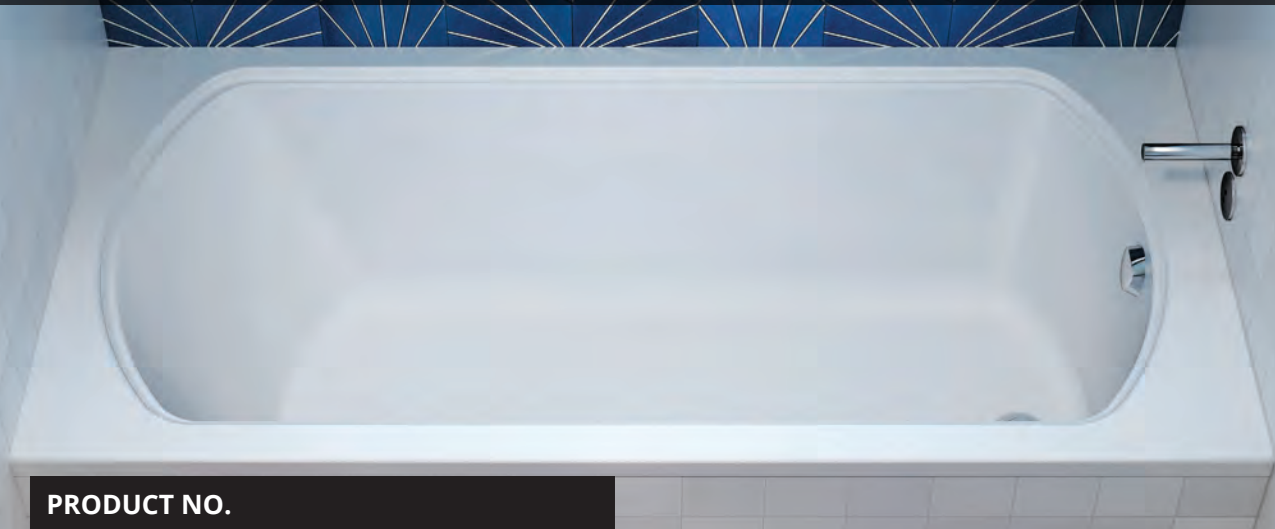


PRO-MERIDIAN 55

66" x 34" x 20"

Named after the meridians of our body—the paths along which our energy flows—the collection also brings to mind the meridian (or mid-point) of life with an invitation to relax and listen to your body and mind.



PRODUCT NO.

MODEL	TMU	TUB
	BPMKRI00T-XX	BPMKRI00N-XX

THERMOMASSEUR (TMU) Hydro-thermo massage • Air jet system	\$5,405
Jets	44
1 heated backrest	Included
MiaPlus® Control	Included
BU-Touch Control Application BUTOUCH	\$430
Geysair®	Included
AromaCloud** BAROMAC	\$490
AromaFlow** BAROMAF NEW	\$950
Illuzio Chromatherapy BCHRO6	\$925

TUB Soaker	\$2,780
AromaCloud** BAROMAC	\$490
AromaFlow** BAROMAF NEW	\$950
Illuzio Chromatherapy BCHRO6	\$925
WarmTouchShell® BWTS	\$1,125
DOT control	Included with therapy

FEATURES

Installation type	Alcove (3 walls)		
No. of bathers		Imp. gallons	46
US gallons	55		

STANDARD COLOR

		Included
White 01	Biscuit 02	

OPTIONS (UPCHARGE APPLICABLE)

SKIRT	MULTIFIT BSMUL-XX	SJ-1 BSJ1-XX
White 01, Biscuit 02	\$600	\$715
TILE FLANGE (specify right or left)		
Ordered with bath (not installed) BTILEN		\$79
Factory-installed. Right BTILER, Left BTILEL, Special installation BTILEO		\$155
WASTE & OVERFLOW	16" x 35" BOVER16-XX	INTE-GRATED** BOVERIN-XX
Chrome 07	\$260	\$235
White 01, Biscuit 02	\$290	\$235
Brushed Nickel 09, Polished Nickel 10	\$400	\$235
Oil-rubbed Bronze 11	\$400	N/A
Matte Black 19, Satin Brass 18	N/A	\$355
IF REQUIRED BY CONSTRUCTION CODE		
16" x 35" Cable driven brass waste & overflow kit BOVERBR		\$240

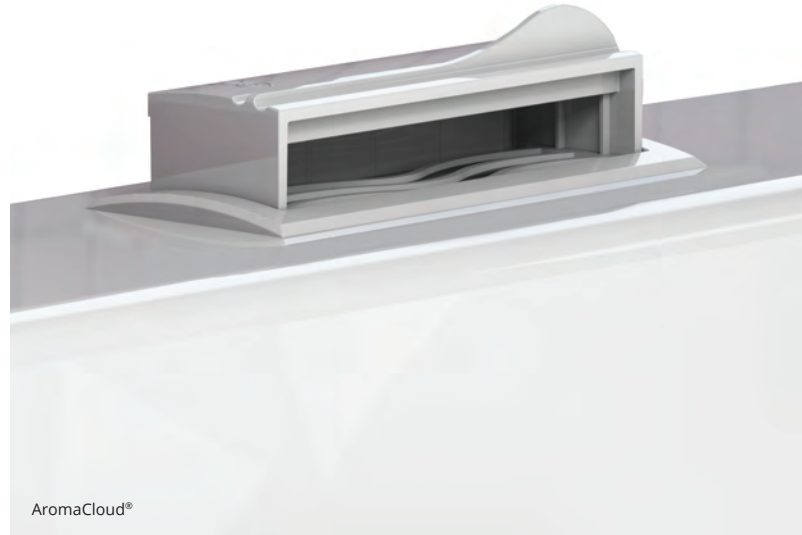


* The AromaCloud® is built into the deck (factory installed).

** Only when ordering an AromaFlow; an integrated waste & overflow is mandatory (Upcharge). Specify the finish of the waste.



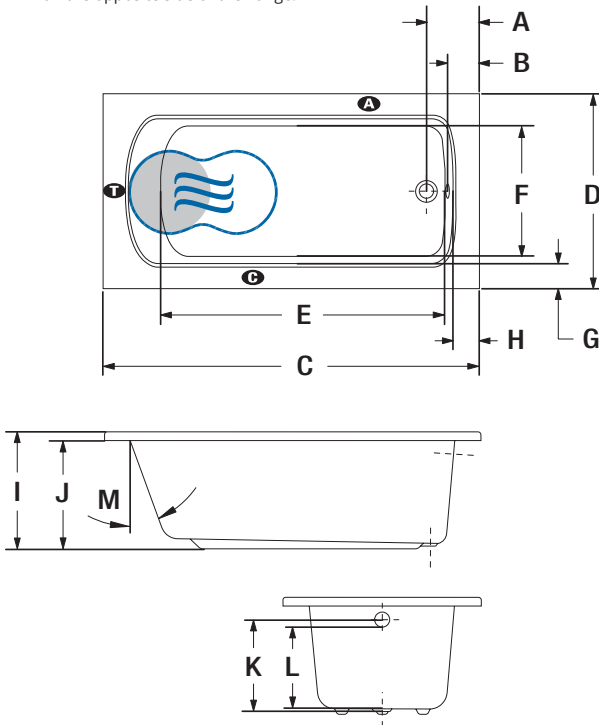
PRO-MERIDIAN 55



AromaCloud®

INSTALLATION

- A** When tile flange is added, the AromaCloud® will automatically be installed on the opposite side of the flange.



LETTER	DESCRIPTION	MEASURE
A	Outside edge to center drain	9 1/4"
B	Outside edge to overflow	5"
C	Total length	65 3/4"
D	Total width	34"
E	Bathing well length	49 3/4"
F	Bathing well width	22 1/2"
G	Deck width	3 1/4"
H	Deck width at drain end	4 1/4"
I	Height from bottom of bath to top deck	20"
J	Height from bottom of bath to bottom of deck	18 1/2"
K	Height from bottom of drain to center of overflow	15 7/8"
L	Maximum water level (Waste & overflow 16" x 35")	14 1/4"
	Maximum water level with AromaFlow	14 1/8"
M	Slope of backrest	22°

- A** AromaCloud® position
- G** Control position when factory-installed (Mia® or DOT)
- T** Turbine position (TMU)
- Indicates heated backrest (TMU)
- ☞ Indicates WarmTouchShell® position (TUB)

TECHNICAL SPECIFICATIONS

Hot water supply required	The hot water supply should be 70% or more of the bath's total water capacity.
Turbine	Access to the pump must be at least 18" x 22". Standard connection is 20 A, 120 V, 60 Hz, dedicated line with a Ground-Fault Circuit Interrupter (GFCI). For any additional option, a second line is needed 15 A, 120 V, 60 Hz, dedicated line with a GFCI. Air vent necessary: 2" x 4" minimum.
Others	<ul style="list-style-type: none"> - The Geysair® is located on the same side as the heated backrest. It must NOT be relocated. It must be connected to the hot water supply and be accessible (provide access). - Optional tile flange (specify right or left). - If ordered with an installed tile flange, the control will be shipped separately. - The water level will be lower when an AromaFlow is installed.

Our products must be installed by certified professionals only and according to our Owner's Manual as well as federal, provincial/state and local building codes and regulations (www.bainultra.com/dealers/dealer-documentation-and-catalog).

The specifications shown indicate the outer edge dimension and the inside bathing capacity dimension measured at air jets' height. The manufacturer accepts a 1/4" [0.64 cm] variance. There are variations on each product and specifications are subject to change as we improve upon our product as required. The dimensions needed for site preparation and structure building will differ. BainUltra® assumes no responsibility for preparatory work done prior to the product being on site.

Cutting template	# 90000012
Approx. shipping weight	131 lb
Turbine power	550 W
Air heater	600 W
WARRANTY	
Controls-LED-Geysair*	5 years
Bath & turbine*	20 years

* Some restrictions apply | www.bainultra.com/warranty