



FREESTANDING TUBS MADE WITH

FINESTONE[®] 

INSTALLATION INSTRUCTIONS

Important information for the installer and the owner.



 **BainUltra[®]**

TO BE KEPT BY THE OWNER

TABLE OF CONTENT

SAFETY INSTRUCTIONS 4

TUB MADE WITH FINESTONE®

 PARTS & TOOLS 5

 SITE PREPARATION 6

 BATH HANDLING..... 7

 BATHTUB PREPARATION..... 8

 INSTALLATION WITH ACCESS UNDER THE FLOOR..... 9

 INSTALLATION WITHOUT ACCESS UNDER THE FLOOR..... 10

 INSTALLATION - FINAL STEPS 11

 TURBINE - ELECTRICAL INSTALLATION..... 12

MIAPLUS CONTROL - INSTALLATION 14

MIAPLUS CONTROL - USER GUIDE 15

MAINTENANCE 23

TROUBLE SHOOTING 24

WARRANTY 25

MIAPLUS CUTTING TEMPLATE 26

956, chemin Olivier
Lévis (Québec)
G7A 2N1

T 418.831.7701

1.800.463.2187

F 418.831.6623

1.800.382.8587

info@bainultra.com

TUB MADE WITH FINESTONE®

 **WARNING**

 **HANDLE WITH CARE**



**RECOMMENDATIONS:
HANDLING BY 2 PERSONS IS RECOMMENDED
THE USE OF A MOVING STRAP IS RECOMMENDED**



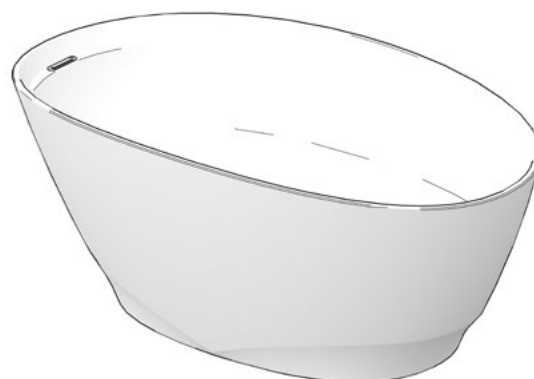
BATH INSPECTION

BEFORE STARTING INSTALLATION, ensure that parts received match your order. If the bath appears nonconforming, please contact our technical service 1 800 463-2187.

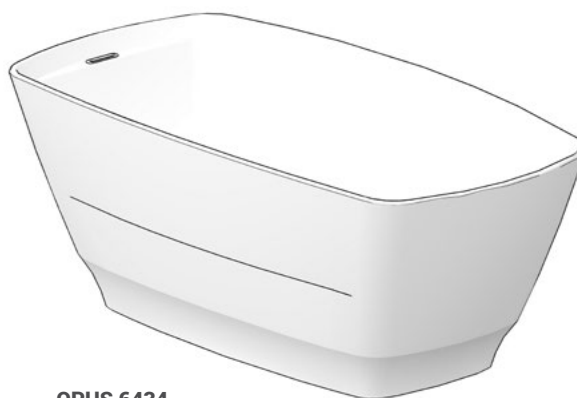
Your bathtub made with FineStone® has been treated with great care, so that its finish retains its pure and uniform state without compromise. However, in very rare cases, the surface of the material may appear to have tiny variations in color that may appear to sparkle. This is due to the mineral composition of the material. This is normal and does not require and repair or maintenance.



CELESTIA 6233



CELESTIA 6635



OPUS 6434

IMPORTANT SAFETY INSTRUCTIONS
PERTAINING TO RISKS OF FIRE, ELECTROCUTION OR PERSONAL INJURY

READ AND FOLLOW ALL INSTRUCTIONS • SAVE THESE INSTRUCTIONS

⚠ WARNINGS

- Risk of hyperthermia; people using medication and/or having an adverse medical history should consult a physician before using a Hydro-thermo massage® bathtub equipped with a heater.
- Risk of hyperthermia and possible drowning: do not use a Hydro-thermo massage bathtub equipped with heater immediately following strenuous exercise.
- Risk of fetal injury; pregnant or possibly pregnant women should consult a physician before using a Hydro-thermo massage bathtub equipped with a heater.
- Risk of accidental injury or drowning; do not use drugs or alcohol before or during the use of a Hydro-thermo massage bathtub equipped with a heater.
- Use this ThermoMasseur bath only for its intended purposes or as described in this manual. Use only accessories or devices recommended by the manufacturer.
- Risk of hyperthermia and possible drowning. Check and adjust water temperature before use. Water temperature exceeding 100°F (38°C) may be injurious to your health.
- To reduce the risk of injury, as with any other conventional bath, do not allow children or physically impaired people to use this unit unless they are closely supervised at all times.
- To avoid injury, exercise care when entering or exiting the ThermoMasseur®.

RISK OF ELECTRICAL SHOCK

- Disconnect electric power before servicing.
- Do not permit electrical appliances (hair dryer, lamp, telephone, radio, television, etc.) within 5' (1,5 m) of the bathtub.
- Never use an electronic device (mobile phone, tablet, etc.) connected to an electrical outlet when you are in the bathtub.
- For indoor use only.

ELECTRICAL CONNECTIONS:

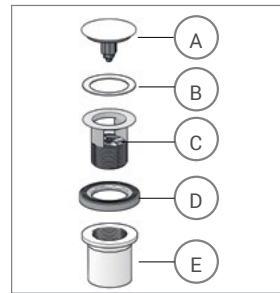
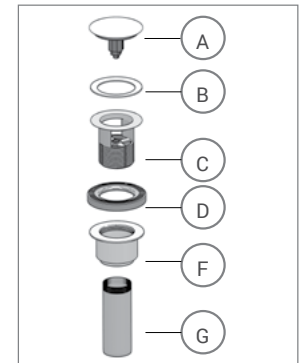
- Never drop or insert objects into any openings.
- The ThermoMasseur must be connected only to a supply circuit that is protected by a 15 amp class A ground fault circuit interrupter (GFCI). This interrupter is supplied by a certified electrician and must be tested on a regular basis in accordance with manufacturer's instructions. The GFCI ground must be connected. If defective, do not use the ThermoMasseur. Disconnect immediately and call a certified electrician.
- Use 14 AWG (or greater) copper conductors that resist temperatures of at least 194°F (90°C).
- To reduce the risk of electrocution, connect this terminal or connector to the grounding terminal of your electric service or supply panel with conductor equivalent in size to the circuit conductors supplying the equipment and be 14AWG or more.
- All electrical connections must be carried out by a certified electrician and must respect federal, provincial/state, and local building codes and regulations.
- Install in accordance with manufacturer's installation instructions.

.....
WATER LEAK TEST
 Once plumbing is fully installed and before beginning any other work, fill the bath with water to one (1) inch under the overflow level and wait 30 minutes. Check all plumbing hook-ups and bath for leaks. BainUltra is not responsible for any water damage caused by improper installation (see Warranty section).

PARTS AND TOOLS

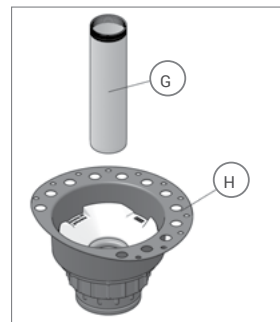
STANDARD PARTS - PLUMBING

A	Plated drain clicker	1
B	Clicker seal	1
C	Strainer	1
D	Drain rubber seal	1
E	PVC Drain shoe	1


PVC DRAIN

BRASS DRAIN

OPTIONAL PARTS - PLUMBING

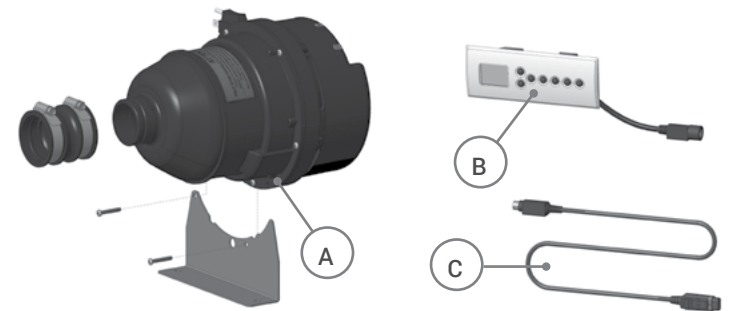
F	Brass drain shoe	1
G	8 in. brass tailpiece	1
H	Island Tub Drain (ITD) Floor set	1


ISLAND TUB DRAIN*

*: Island tub drain is recommended WHEN NO ACCESS IS POSSIBLE UNDER THE FLOOR.

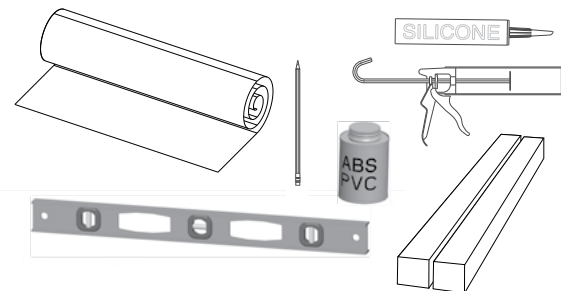
STANDARDS PARTS- THERMOMASSEUR®

	DESCRIPTION	QTY
A	Turbine	1
B	MiaPlus® Control	1
C	15 Feet Control Cord 15 feet	1



PARTS & TOOLS

Cutting template
Pencil
Silicone / Caulking Gun
48" Level
ABS & PVC Glue
2 Support blocks 4 x 4 x 36 (recommended)



IMPORTANT • Before starting installation, ensure that parts received match your order.
For any questions, call BainUltra at 1 800 463-2187.

THERMOMASSEUR® SITE PREPARATION

FAUCET INSTALLATION

- See the manufacturer's technical specifications for faucets location and plan the water supply accordingly.
- Position drain according to manufacturer's specifications.

BEDDING

Before installing, ensure that the floor underneath the bath can support 1,500 lbs (680 kg). The bath may sit directly on the floor. However, the bath may also be installed on a bed of concrete. For this type of installation, it is recommended that you insulate the concrete between two sheets of plastic, one on floor and the other underneath bath.

ISLAND TUB DRAIN

- The ITD is strongly recommended when you have no access under the floor.

ELECTRONIC CONTROL (KEYPAD)

- The keypad should be in line of sight from the tub sitting position.
- The keypad (low voltage wires) has a 15 foot cable that has to run from the wall position back to the turbine. Extensions are available if needed.
- You can use a conduit to feed these wires as well if needed.

TURBINE - REMOTE INSTALLATION

- A 1 ½ inch ID pipe has to run from the tub, back to the turbine location. This pipe can be PVC Tigerflex (spa hose) or rigid PVC or ABS
- For installation without access under the floor, provide the passage of the air pipe under the bathtub (in the floor).
- Maximum distance is 15 feet from the tub, indoors, in a room temperate setting (not outdoors or in a non-temperature controlled area)
- Minimum size for an enclosure for the turbine: 16" x 16"
- Make sure to leave access for servicing needs
- The enclosure should have a minimum 4x2 inch opening so the turbine works properly. Not doing so will starve the blower of air. It will eventually fail and void its warranty
- A 15 Amp GFCI (14 AWG) 120V dedicated line is needed for the turbine.

SERVICE ACCESS AND VENTILATION

- A service access is necessary. Minimum dimensions are: 22" x 18" (55 cm x 46 cm) to properly reach all electrical components of the system.

If you have any other questions, please give us a call at technical support 1-888-763-4444.



WARNING

- The space surrounding the turbine air intake must be large enough and free of debris for proper airflow and be at a temperature between 72°F (20°C) and 86°F (30°C) for optimal performance.

HANDLING

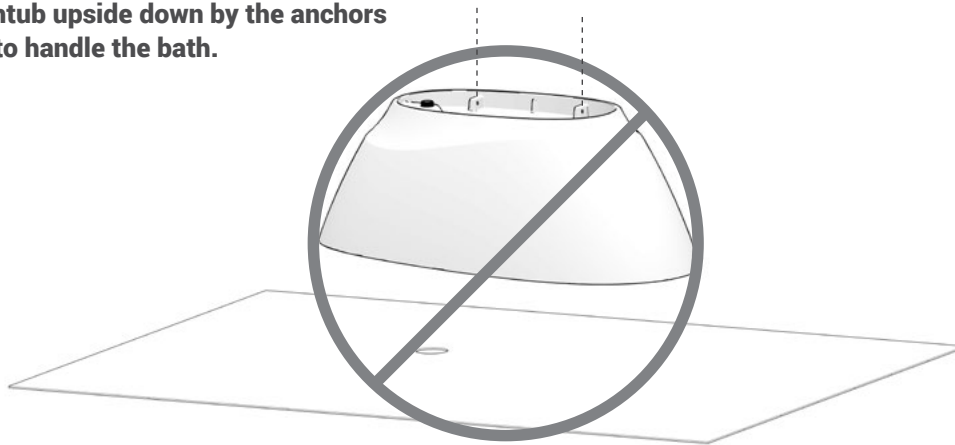
HANDLING

- HANDLE WITH CARE



- Handling of the bath must be done by **at least TWO PERSONS** ideally using moving straps.

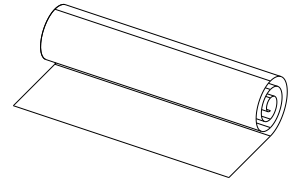
- **Never hang the bathtub upside down by the anchors or use the anchors to handle the bath.**



THERMOMASSEUR® BATHTUB PREPARATION

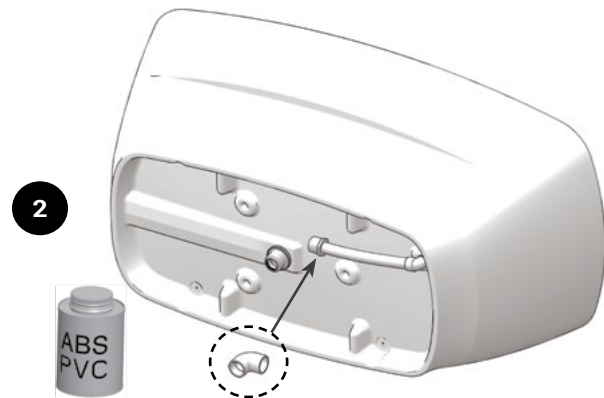
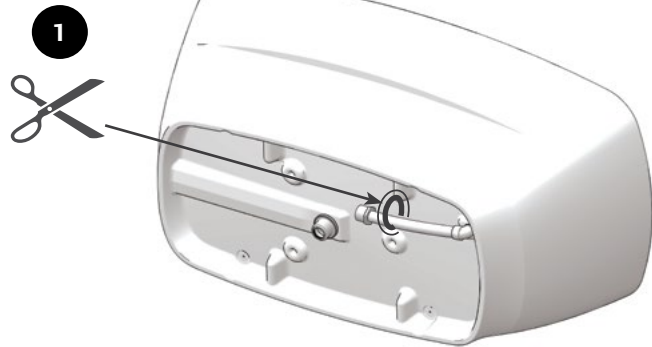
PLUMBING PREPARATION – FLOOR LAYOUT FOR PIPES AND ACCESS

NOTE: Please refer to the Cutting Template provided with your bathtub.
 However, if it is missing, please contact us at 1-800-463-2187 to order it.
 Available on our website at BainUltra.com.

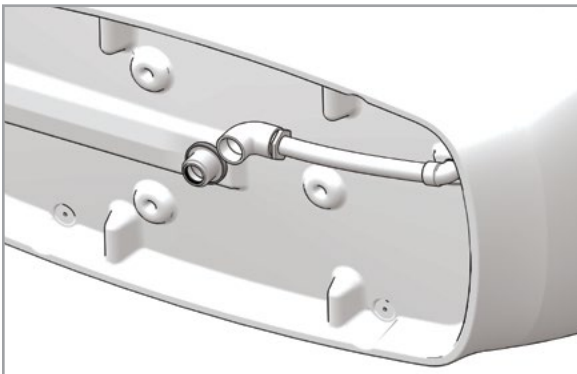


THERMOMASSEUR

- | | |
|----------|--|
| 1 | <ul style="list-style-type: none"> • Gently place the tub on the side, on a protective cover. • The air hose can be attached under the bathtub. Be sure to release it by cutting his tie ✂ before making the connection. |
| 2 | <ul style="list-style-type: none"> • Use the white 90 PVC elbow provided with the bathtub • Glue it, with PVC glue, to the end of the air hose. |

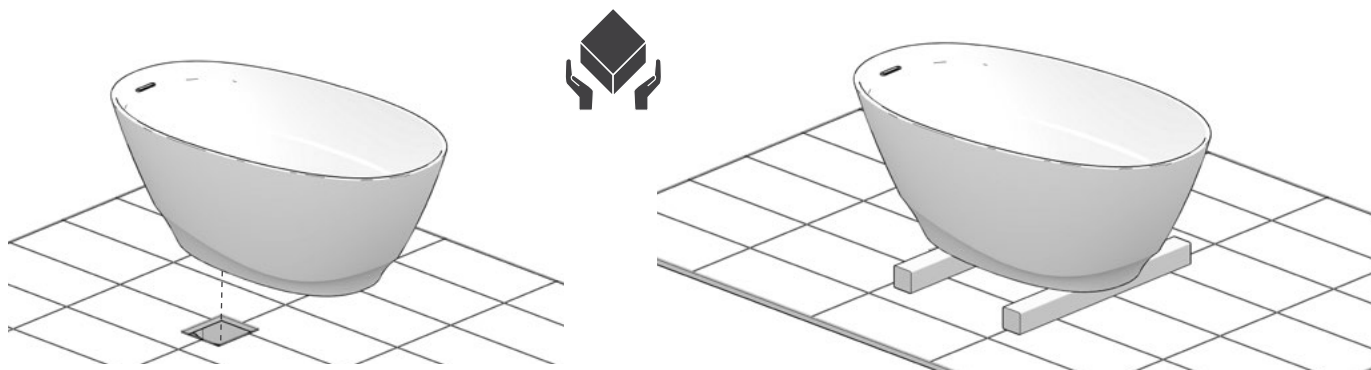


Air hose and drain connection detail



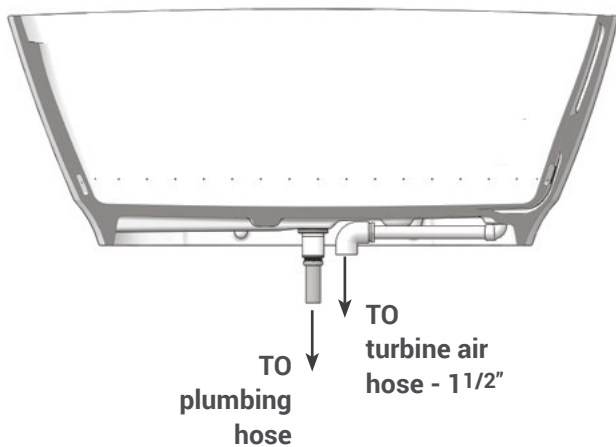
INSTALLATION WITH ACCESS UNDER THE FLOOR

- Raise the bathtub and place it on wooden blocks (4x4) recommended for easy connection of plumbing and air hose.

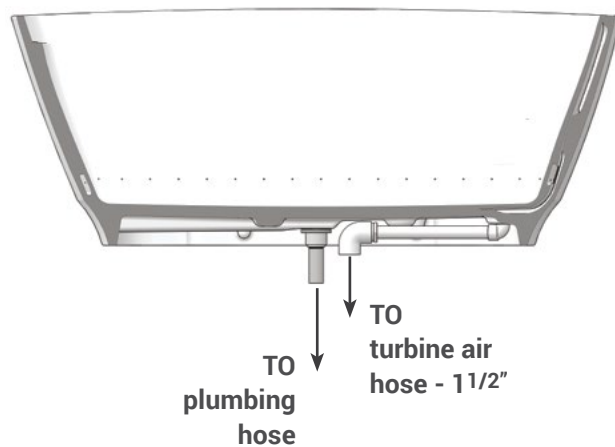


INSTALLATION TYPES

PVC DRAIN



BRASS DRAIN



INSTALLATION WITHOUT ACCESS UNDER THE FLOOR

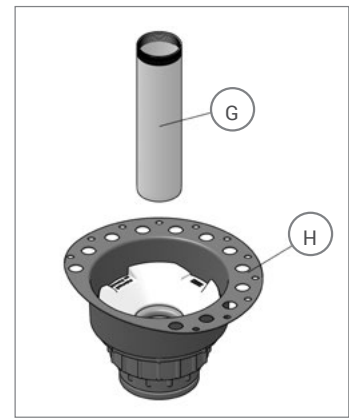
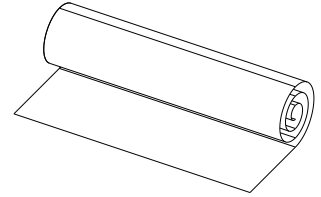
PLUMBING PREPARATION – FLOOR LAYOUT FOR PIPES AND ACCESS

Please refer to the CUTTING TEMPLATE provided with your bath.
 For more information about cutting templates please contact us at 1-800-463-2187.
 All cutting templates are available for consultation on our Web site bainultra.com.

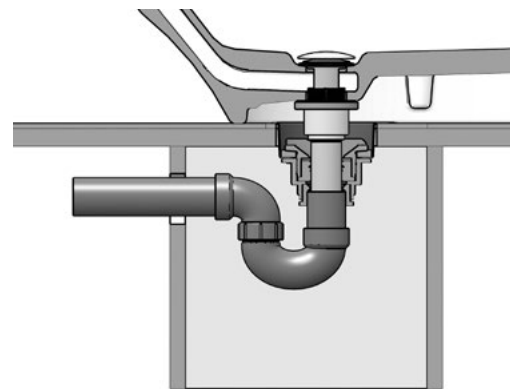
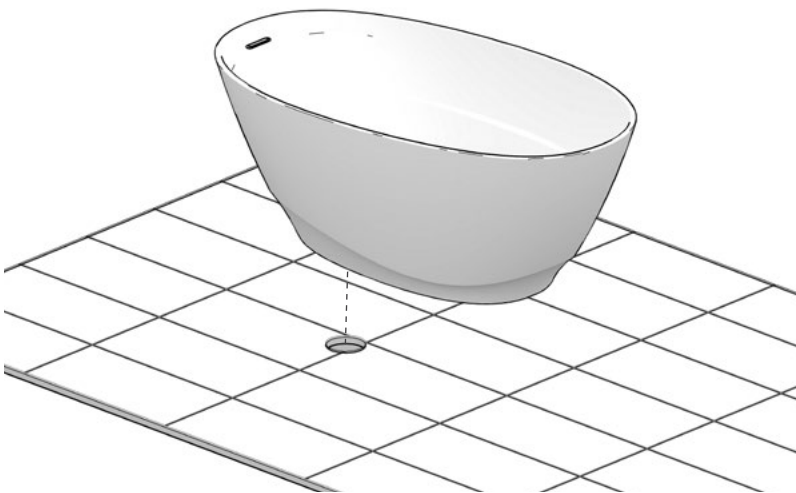


NOTE

- An Island Tub Drain (ITD) is recommended when no access is possible under the floor.
- **IMPORTANT: The Brass Drain is required with the ITD.**
- Refer to supplied instructions for ITD installation.
- The floor finishing material can cover the ITD up to the brass tailpiece.



ISLAND TUB DRAIN*



BRASS DRAIN

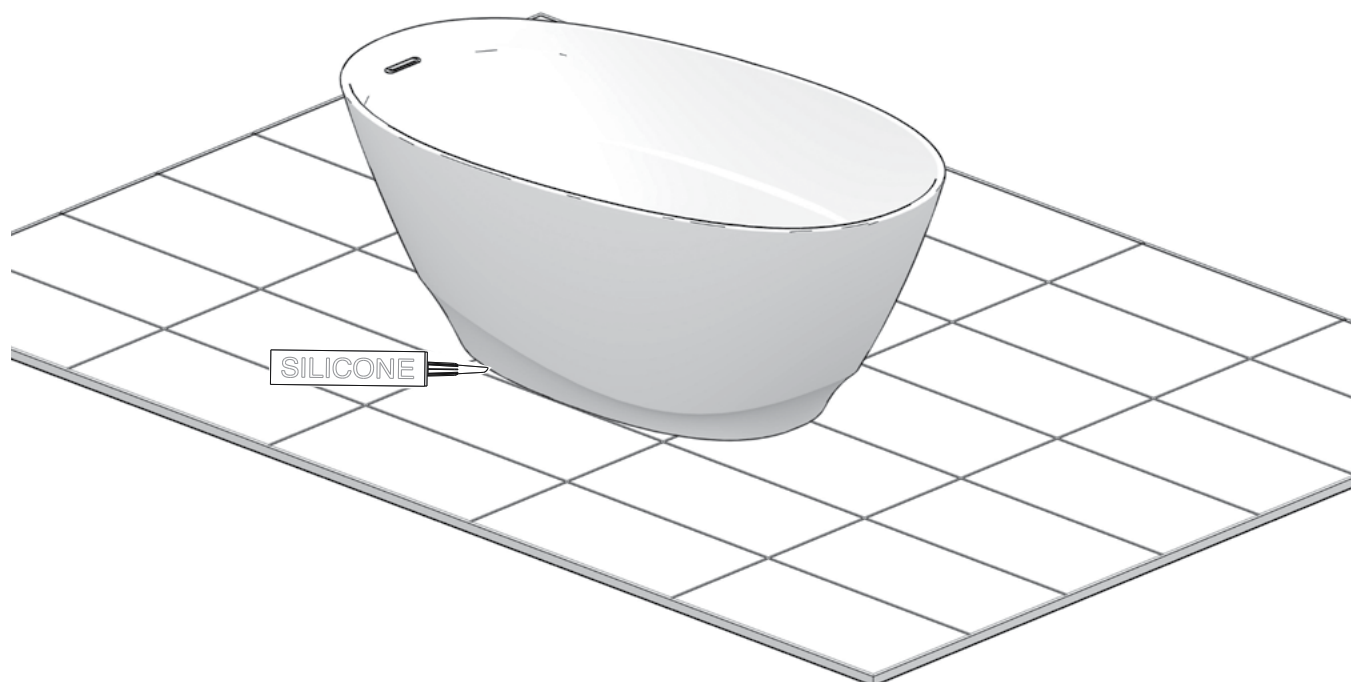
INSTALLATION - FINAL STEPS

WATER LEAK TEST - IMPORTANT

- Once plumbing is fully installed and before beginning any other work, do a leak test. Refer to page 4.

FINAL STEPS

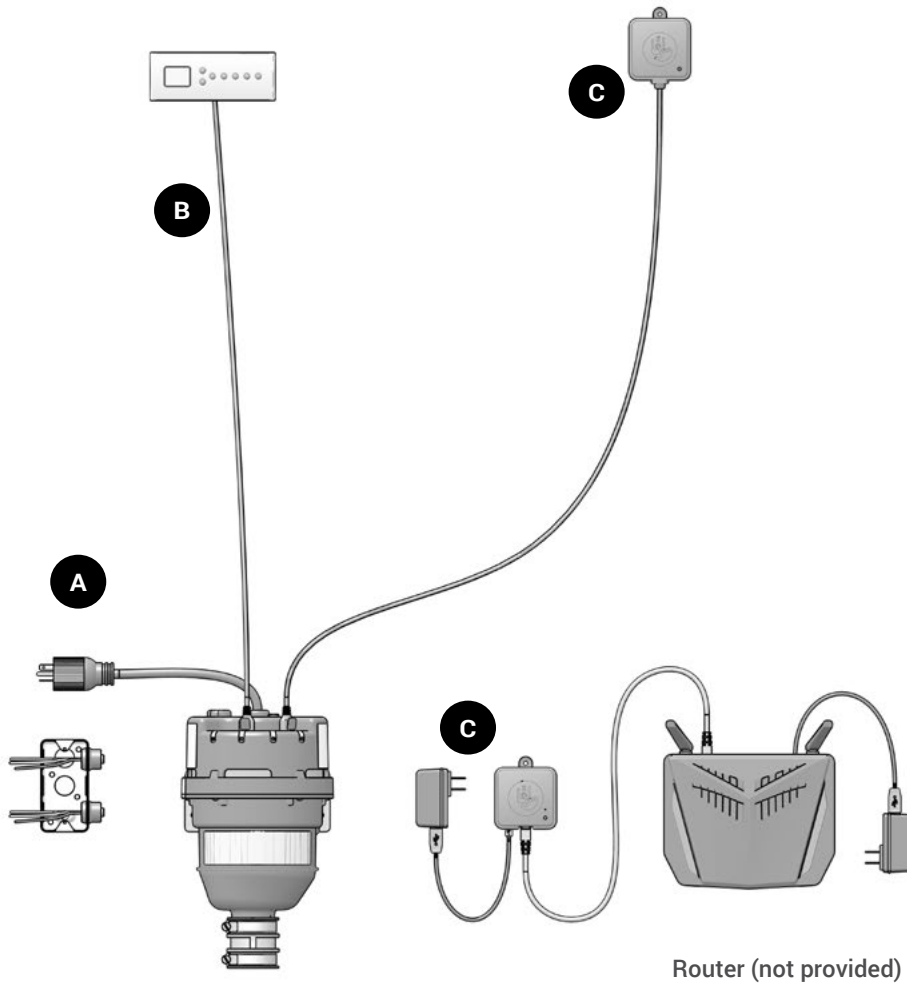
- Make sure the floor is leveled. Use shims if needed.
- Apply a bead of silicone at the perimeter of the bath once on the floor.



TURBINE ELECTRICAL INSTALLATION

ELECTRICAL CONNECTIONS FOR THERMOMASSEURS®

- A : Turbine
- B : MiaPlus
- C : BU-Touch



WARNING

- Electrical outlet must be installed by a certified electrician. Installation must be conducted in accordance with all local, provincial/state, and federal building/electrical codes and regulations.
- Connect electrical power supply only after all low voltage wiring is properly installed on turbine.
- If you did not follow this last step, shut off and then restart your home's circuit breaker. Turbine and air pipe should be clear of building materials and wiring.

NOTE:

- Connections may differ depending on the bath model and options.

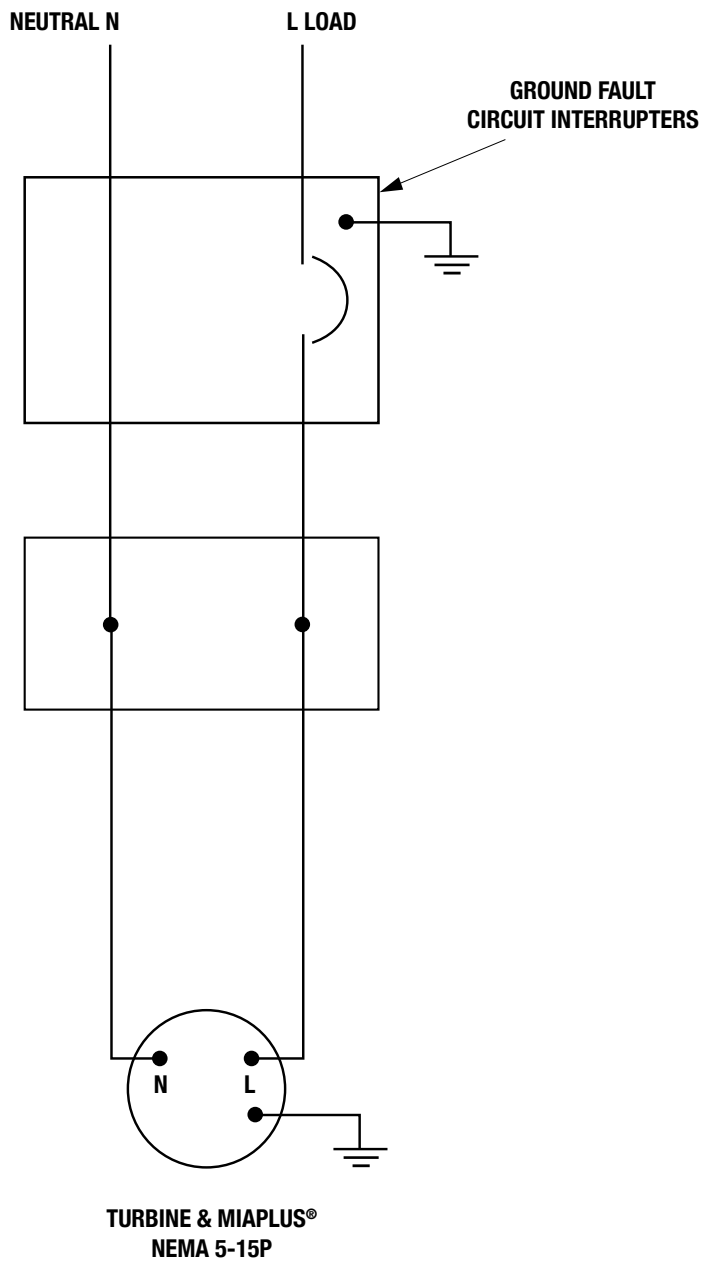
* BU-Touch is a virtual control application that activates all the options of the ThermoMasseur Air jets bath from your mobile device. Please refer to BU-TOUCH Quick Start Guide: www.bainultra.com/butouch-guide

TURBINE ELECTRICAL INSTALLATION

ELECTRICAL DIAGRAM
TURBINE

Electrical connections for Canada only.

15A CIRCUIT



THERMOMASSEURS • MIAPLUS® CONTROL

REQUIRED TOOLS

1	Fine teeth jigsaw
2	Drill
3	1/4 in. drill bit

LOCATION

Determine the most convenient location, on the wall to install the control module.

To install the control on the wall, remove the mounting bracket wing nuts and the protective film of sticker behind the control.

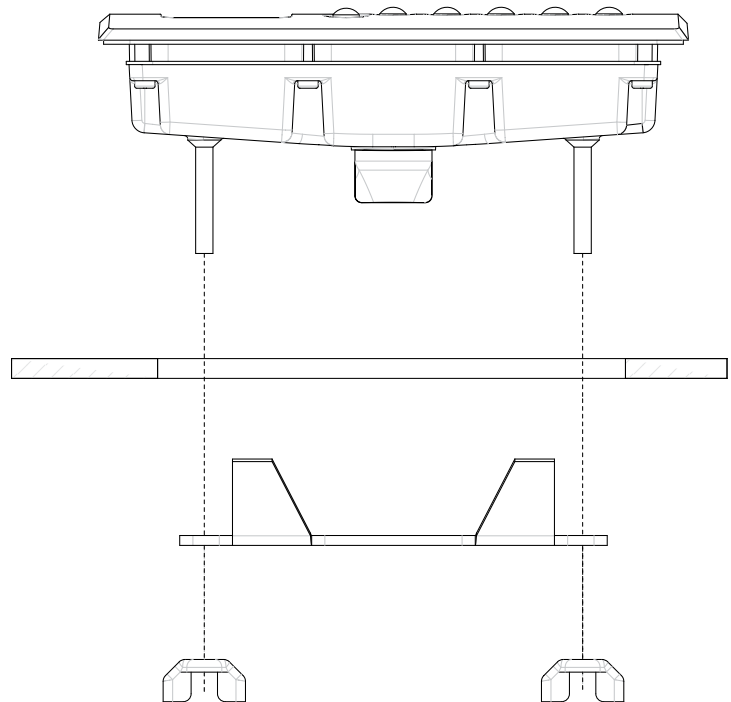
You can add a silicone bead on the sticker before installation to secure it.

DRILLING

Refer to the drilling template on the last page for the location and diameter of the holes.

KEYPAD INSTALLATION

1	Push wiring through drilled holes.
2	Remove protective film from watertight seal.
3	Secure keypad into place on either the deck or the wall by using 2, 8-32 x 1" studs and 2 wing nuts.
4	Tighten sufficiently to insure seal is airtight.



KEYS AND FUNCTIONS



Press this key to start or to stop the turbine and the MiaPlus® control panel.



Press this key to return to function adjustment. The Massage function appears on the screen by default.



Press either of these keys to navigate the main menu of the MiaPlus® control panel.

Press the ► key to see the next function.

Functions are displayed in the following order:

- Massage (air jet pressure)
- Duration
- Backrest (heated backrest)
- Save
- Drying cycle
- Lock
- Contrast (screen contrast)
- Language
- Contact us



Press either of these keys to navigate the options of each function.

Press the ▲ key to go up.

Press the ▼ key to go down.



Press this key to save the selected options and settings.



MAIN FUNCTIONS

MiaPlus® lets you personalize your Hydro-thermo massage® with the following functions and options:

- Adjust air jet pressure
- Select duration of session
- Adjust backrest temperature
- Personalize session settings for up to 4 different users
- Personalize drying cycle for the conduits
- Lock controls when bath is not in use
- Adjust screen contrast
- Select display language

Settings are automatically saved until they are modified.

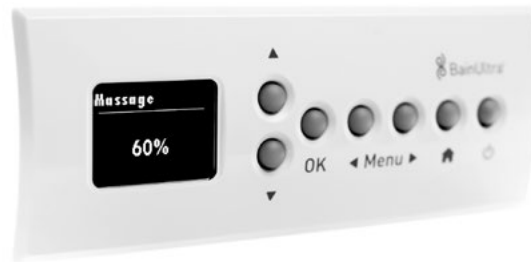
MIAPLUS® USER GUIDE

MASSAGE

This function allows the user to regulate air jet pressure for personalized comfort and a remarkably effective Hydro-thermo massage®. The default pressure is the same as the previous bath.

Increase or decrease the pressure of the air jets by repeatedly pressing the ▲ or ▼ key until the desired pressure is reached. Pressure increases in 10% increments.

Pressing **OK** is optional.



DURATION

This function lets you program the duration of your bath from 5 to 30 minutes. The selected duration will remain in the memory until it is modified.

To select the Duration, press the ► key on the menu until the Duration function is displayed.

Select the desired duration using the ▲ or ▼ keys.

Pressing **OK** is optional.

Use the arrows ◀ or ▶ or the 🏠 key to return to the basic Massage screen.



BACKREST

For maximum relaxation and exceptional comfort, one or two heated backrests can be installed in your bath and heated individually.

Select the **Backrest** function by pressing the ► key until the **Backrest** function is displayed.

Four options are available:

- **Off**
- **Low**
- **Medium**
- **High**

NOTE: Models with 2 backrests will specify backrest 1 and backrest 2.

Choose the desired option using the ▲ or ▼ keys.

Press **OK** to validate your choice.

Use the arrows ◀ or ▶ or the 🏠 key to return to the basic **Message** screen.

NOTE: Selecting the **Off** option will turn off the backrests.



MIAPLUS® USER GUIDE

CARE

To select the **Care** function, press the ► key on the menu until the **Care** function appears.

SEVEN options are available:

- **Message** – Even intensity throughout the session
- **Wave** – Jet intensity cycles from 10% to maximum desired intensity
- **Bather 1, 2, 3, 4** – Stores each bather's selection

Use the ▼ or ▲ keys to select an option.

Press **OK** to validate your choice.

Use the arrows ◀ or ▶ or the 🏠 key to return to the basic **Message** screen.



SAVE

The MiaPlus® control system lets you save up to four personalized presets. This save function lets you conveniently preselect settings adapted to various users or purposes. Simply set the functions and options according to your tastes and save them under Bather 1, Bather 2, etc. These personalized settings will stay saved until modified.

Select a bather and save personalized settings

Press the ► key on the menu until the Save function appears.

Use the ▲ or ▼ keys to select a user number.

Press **OK**.

Use the arrows ◀ or ▶ or the 🏠 key to return to the basic **Message** screen.

Repeat these steps for each user.



DRYING CYCLE

This function completely drains the conduits and dries them for 90 seconds. By eliminating any water left in the conduits, the **Drying** cycle ensures perfect hygiene.

- No stagnant water
- No water left over from the previous bath

Drying is mandatory after a Hydro-thermo massage® session.

Two options are available:

- **After Bath**
- **Daily**

Even when the daily drying cycle is programmed, the automatic drying cycle will activate after each use.

Select After Bath

The **After Bath** option lets you program the Drying cycle to start up to 60 minutes after a bath.

To select the **After Bath** option, press the ► key on the menu until the Drying cycle function appears.

Use the ▲ and ▼ keys to select the **After Bath** option.

Press **OK**.

Dry Delay is displayed.

Press the ▲ key to select a value from 5 to 60 minutes.

Press **OK** to validate.

Use the arrows ◀ or ▶ or the 🏠 key to return to the basic **Massage** screen.

If no value is selected, the Drying cycle will start up automatically 15 minutes after the bath.



! DID YOU KNOW THAT...

When the MiaPlus® control panel is off, you can start automatically the Drying cycle by selecting the 🏠 key.



MIAPLUS® USER GUIDE

DRYING CYCLE (CONT'D)

Select Daily

The Daily option lets you dry and clean the air jet system conduits at a specific time of day rather than within an hour of a Hydrothermo massage® session.

To select the **Daily** option, press the ► key on the menu until the **Drying** cycle option appears.

Use the ▲ and ▼ keys to select the **Daily** option.

Press **OK**.

Start Time is displayed.

Use the ▲ or ▼ keys to select the time of day the **Drying** cycle function should start.

Press **OK**.

Actual Time is displayed.

Press and hold the ▲ or ▼ keys or press them repeatedly to set the preprogrammed current time in 10 minute slots.

Press **OK**.

Once the **Daily** option is set, the **Drying** cycle will start every day at the same time until the setting is modified.

Use the arrows ◀ or ▶ or the 🏠 key to return to the basic **Massage** screen.

NOTE: The time format is preset as follows:

French: 24 hour


English: 12 hour (AM and PM)

Spanish: 24 hour

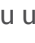




LOCK

This function lets you lock the control system in order to prevent the turbine from starting unexpectedly or accidentally.


It is also a child safety device, as it prevents children from starting the turbine by pressing the  key.

To activate the Lock function

Press the  key on the menu until the **Lock** function appears.

Use the  or  keys to select the **Activate** option.

Press **OK** to validate your choice.

When you stop the bath, the **Lock** function locks the  key, making it impossible to restart the turbine.

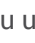
To restart the turbine when the Lock function is activated

Press the  key.

Lock is displayed. Press **OK**.

The turbine starts.

To deactivate the Lock function

Press the  key on the menu until the Lock function appears.

Use the  and  keys to select the Off option.

Press **OK**.



CONTRAST

This function controls the brightness of the MiaPlus® display screen. No matter which setting you select, the screen is always clear and easy to read from any angle, regardless of the lighting conditions of the room where your bath is installed.

MIAPLUS® USER GUIDE

CONTRAST (CONT'D)

NOTE: The screen automatically dims after 2 minutes.

To set display screen contrast, press the ▲ or ▼ key on the menu until the Contrast function appears.

NOTE: Use the ◀ key to access this function more quickly when you start the turbine.

Press ▲ or ▼ until the desired percentage (%) of contrast is displayed.

Press **OK** to validate your choice.

Use the arrows ◀ or ▶ or the 🏠 key to return to the basic Massage screen.

LANGUAGE

The MiaPlus® control system lets you select one of the following three display languages:

- French
- English
- Spanish

NOTE: The factory-selected language is English.

To choose the display **language**, press the ◀ or ▶ key on the menu until the **Language** function appears.

NOTE: Use the ◀ key to access this function more quickly when you start the turbine.

Press ▲ or ▼ to select your desired language.

Press **OK**.

Use the arrows ◀ or ▶ or the 🏠 key to return to the basic Massage screen.



CONTACT US

Feel free to contact BainUltra for any information you may need about your ThermoMasseur® bath and the MiaPlus® control system.

Simply call the phone number that appears on this screen for answers to any question.

1.800.463.2187

BainUltra wishes you complete relaxation!


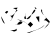
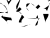
MAINTENANCE

FINESTONE® SOLID SURFACE

- All Celestia™ and Opus models are made with FineStone®, BainUltra’s high quality solid surface material composed of refined minerals and pure liquid acrylic.

MINOR REPAIRS

Table - Sandpaper grade

	Scratch
	Paper grade 180
	Paper grade 320

SYSTEM

• Technical information

- The automatic drying cycle activates a programmable time from 5 to 60 minutes after each use to ensure perfect hygiene of the air channels.

- It is normal to hear the turbine working at a certain time of day. This means that the drying cycle has been programmed.

Maintenance

BainUltra® recommends to start the drying cycle everytime the bath is used as a shower or just to soak. In the case this procedure was not followed, here are the instructions for cleaning the air channel.

It is recommended to perform the following cleaning steps **every four (4) months**.

- Add water up to 5 cm above the level of the jet holes.
- Incorporate 4 liters of Clorox bleach (4%) to reach a 2500 ppm concentration.
- Leave to soak for 5 minutes (For a concentration of 1000 ppm, the duration is 10 min).
- Start the jets
- Drain the bath
- Rinse the bath using the hand showers

MAINTENANCE

- Clean the bath surface with a cloth and a mild non-abrasive soap.
- For stubborn stains, use isopropyl alcohol (rubbing alcohol), and rinse with water.
- For encrusted stains such as grease, oils, cosmetics, or marks left by rubbing with another object, use a “Magic Eraser™” type cleaning sponge and rinse with water. If stain remains, please refer to the Minor Repairs Table.
- To restore the original satin finish after intensive scrubbing, sand the rubbed portion in small circular movements with grade 320 sandpaper.
- For the use of any other cleaning products than those mentioned in this document, first make a test on a small, less visible surface before completely cleaning the bathtub.
- If in doubt, please contact our technical service.



WARNING

ESSENTIAL OILS

Some essential oils can damage Finestone® solid surface.

Any use of product containing methyl salicylate, such as wood tea tree oil, is prohibited, as well as oils essential of thyme, cloves and citrus fruits.

TROUBLESHOOTING

Your BainUltra ThermoMasseur® has been manufactured and inspected with the greatest care. In addition, it has been thoroughly tested on a test bench to offer you a product of superior quality satisfying your highest expectations. The following troubleshooting chart will assist you in correcting a problem. If you continue to have problems, contact your retailer or the manufacturer.

SITUATION	SOLUTIONS
Your bath will not start	<ul style="list-style-type: none"> • Make sure the breaker is “ON.” • Shut off and restart breaker. • Check junction box connections to bath (for Canada only).
Breaker trips continually	<ul style="list-style-type: none"> • Make sure that your bath is the only appliance connected to circuit. • Check for a short circuit between bath and breaker box. • Breaker may be too sensitive, defective or old. Try a new breaker. This component must be new.
Turbine stops working after only a few minutes	<p>Turbine and air-heater are equipped with heat sensors designed to cut off power in case of overheating. Insufficient air circulation may be the cause.</p> <ul style="list-style-type: none"> • Make sure turbine has sufficient ventilation. • Make sure turbine intake is not obstructed.
A few airjets do not work at lowest speeds	<ul style="list-style-type: none"> • Check for turbine intake obstruction, too great a distance between turbine and bath, too many directional changes (elbows), and, if adequate piping has been used. See pp 24-25 Turbine Remote Installation.

BAINULTRA LIMITED WARRANTY BAINULTRA THERMOMASSEUR : 20 YEARS

LIMITED WARRANTY

This limited warranty is extended only to the original purchaser of the unit who has possession of his or her receipt of purchase, and is valid only when the unit has been purchased through an authorized Bains Ultra Inc. ("BainUltra") retailer and has been registered with BainUltra (registration not required for consumer purchasers domiciled in the Province of Québec). This warranty is not transferable under any circumstance. Please note that you are responsible for inspecting the product and all parts prior to installation. This warranty will not apply if a product with visible defects has been installed without providing notice to BainUltra of the defect.

Your BainUltra ThermoMasseur®, or BATH is covered by the best warranty in the industry. BainUltra guarantees the acrylic and motor turbine of your bath for a twenty-(20) year period from the original purchase date against defects in materials and workmanship.

The wastes and overflows are guaranteed for a one-(1) year period from the original purchase date.

The Akasa® Bath Pillow and Comfort Cushion are guaranteed for a two (2) year period.

BainUltra products used FOR COMMERCIAL USE, SUCH AS INSTALLATIONS IN HOTELS/HOSPITALITY/SPAS OR DISPLAY APPLICATIONS will be limited to a TWO-(2) YEAR WARRANTY against defects in materials and workmanship regardless of the specific nature of any potential defects.

BainUltra products sold outside of North America will be limited to a parts-only warranty through the dealer of the sale. Our service department will help diagnose any problems with your unit and will provide parts only for repairs or replacements covered by the warranty. All parts will be shipped to the dealer in North America. BainUltra will not be responsible for cost of shipping or servicing outside of North America. Any part that must be changed during the warranty period will be covered by the original warranty or for a two-(2) year period following replacement, according to the first contingency.

EXCLUSIONS

The above-stated limited warranty applies as long as: i) the damage is not caused by an accident, abuse, misuse, fire, insects, use of abrasive products, force majeure or an act of God.

The above-stated limited warranty does not apply to transport, handling or installation damages.

Moreover, this warranty is void if: i) your BainUltra ThermoMasseur® bath, or any other BainUltra product is installed by anyone other than a licensed contractor; ii) your BainUltra bath, or any other BainUltra product or part thereof has been modified or if any repairs have been attempted by anyone other than BainUltra, an authorized BainUltra dealer, or other representative of BainUltra; or iii) the unit is installed outdoors, or has not been installed in accordance with BainUltra's instructions, or in compliance with local codes and ordinances.

Any and all components that are not provided by BainUltra, as well as any items attached or installed on your BainUltra ThermoMasseur®, or on any other BainUltra product after the date of manufacture are expressly excluded from this limited warranty.

PROCEDURE

Any defect involving BainUltra's potential liability under this limited warranty shall be reported to BainUltra within ten (10) days of its occurrence. To assist you with your warranty, please contact BainUltra's customer service by email, telephone or fax between 8 a.m. to 6 p.m.

Monday to Thursday (EST) or 8 a.m. to 5 p.m. on Friday (EST).

Email: info@bainultra.com

Tel.: 1 800 463-2187 or 418 831-7701

Fax: 1 800 382-8587 or 418 831-6623

BainUltra Inc.

956, chemin Olivier

Lévis, Québec

Canada G7A 2N1

Proof of purchase and date of purchase will be required. Units claimed to be defective shall be held until inspected by an authorized representative of BainUltra, and upon their specific instructions, units found to be defective will be repaired or replaced at BainUltra's exclusive choice. The liability of BainUltra with respect to the sale of this unit shall be limited to repair or replacement by a similar product as provided above and does not include any cost of removal, reinstallation, transport and shipping of defective product, loss of time, salary or any other expenses as well as any consequential damages of any kind.

BainUltra and its representatives shall not be liable for any injury, loss, cost or other damage, whether direct, consequential, incidental, or special, that arise from any defect covered under this limited warranty, even if BainUltra has been advised of the possibility of such damage. Some states and provinces may not allow the exclusion or limitation of incidental or consequential damages, so the above limitation or exclusion may not apply to you, but these limitations or exclusions will be enforced to the maximum extent of the law.

An adequate access way to mechanical and electrical parts of your BainUltra ThermoMasseur® bath, or any other BainUltra product must be anticipated and prepared before an authorized representative arrives on the premises to carry out a repair. The costs incurred to provide access to the motor turbine, the electronic module or the heating system will not be covered by this warranty.

LIMITATIONS

Except for consumer purchasers domiciled in the Province of Québec, and except to the extent prohibited by applicable law, this limited warranty replaces all other warranties, expressed or implied, in fact or at law, including implied warranties based on course of dealing, usage of trade, and merchantability and fitness for a particular purpose. (Inapplicable in Québec). The terms of this limited warranty cannot be modified or extended in any way whatsoever by any agent, dealer, distributor, service company or party other than BainUltra.

BainUltra excludes any statement in any advertisement or instruction, any picture, or any guideline as an express warranty for our products. We recognize that some states and provinces may not allow limitations on implied warranties, so the above limitations and exclusions may not apply to you, but they will be enforced to the maximum extent of the law.

LEGAL RIGHTS

This limited warranty gives specific legal rights and is not applicable if it interferes with any law or regulation in any state, province or country.

MIAPLUS® CUTTING TEMPLATE

DRAWING OF MiaPlus® CONTROL HOLE

IMPORTANT
Drawing is to scale.

